

# ACC-CK100 Caster Kit Installation Instructions

## Description

The contents of this kit allow the addition of casters to various loudspeakers. Only use with loudspeakers specifically designed to use the ACC-CK100 kit.

Note: In order to use this kit with any loudspeaker, users should first verify that there are mounting holes located on the rear of the cabinet.

### ACC-CK100 Caster Kit (Part No. 2035618-01 / 02) contents:

Item	Quantity	Description
A	16	Screw, M6 hex head
B	16	Washer, lock
C	16	Washer, flat
D	4	Caster Swivel

### Required Tools (not included):

#3 Phillips screwdriver  
10mm socket wrench

## Safety First!

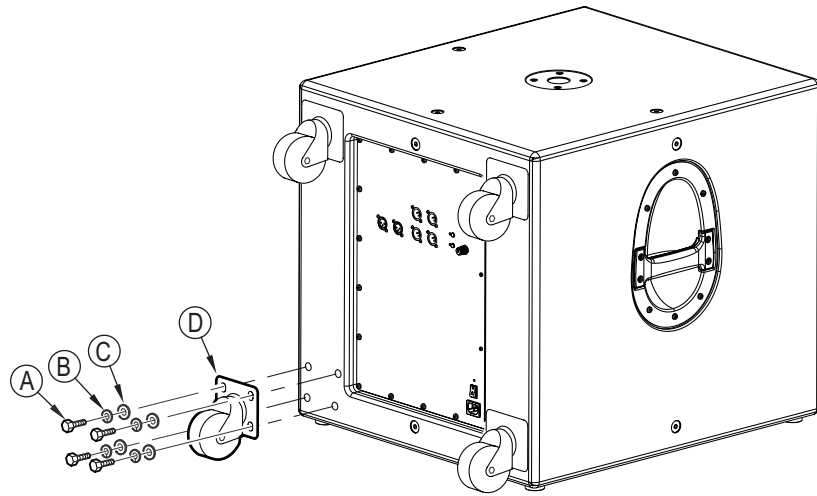
Before installing and using this product, please read these instructions carefully and keep them on hand for future reference. Additionally, refer to the loudspeaker product manual for detailed product-specific information. Failure to follow the precautions in both documents may result in injury or damage to the loudspeaker and/or contents of the caster kit.

**! WARNING:** This product has been designed for installation only by qualified personnel having the technical know-how and experience or specific instructions to ensure correct execution of all of the operations involved to prevent any risk to personal safety. It is strongly recommended that this product be installed only by professionals or specialized firms. When installing this product, always respect the safety standard. Do not install the product in any way that is not described in these instructions.

## Caster Installation

1. Using the #3 Phillips screwdriver, remove the 16 screws from the rear corners of the loudspeaker.
2. Place the threaded part of the screw (A) through the locking washer (B).
3. Place the screw through the flat washer (C).
4. Place the screw through one of the openings of the caster (D) and finger-tighten.
5. Repeat steps 2-4 for the remaining three openings of the same caster.
6. Using the 10mm socket wrench, fully tighten the four screws into the threaded inserts of the loudspeaker.
7. Repeat steps 2-6 for the remaining three casters.

**VERY IMPORTANT:** Do not over-tighten the screws, as this could damage the threaded inserts of the loudspeaker.



**Note:** Loudspeaker shown is for reference only and may not reflect the user's actual loudspeaker.

LOUD Technologies Inc. • 16220 Wood-Red Road NE  
Woodinville • WA • 98072 • 800/258-6883  
Outside the U.S. call 425/487-4333 • FAX 425/487-4337

Part No. SW0867 Rev C 03/12  
© 2012 LOUD Technologies Inc. All Rights Reserved.

### Disclaimer:

LOUD Technologies Inc. continually engages in research related to product improvement. New material, production methods, and design refinements are introduced into existing products without notice as a routine expression of that philosophy. For this reason, any current LOUD Technologies Inc. product may differ in some respect from its published description, but will always equal or exceed the original design specifications unless otherwise stated.