



Lithium-Ion Battery Pack Installation Instructions

Description

The Lithium-Ion Battery Pack allows you to use FreePlay™ without the need to be plugged in or wasting money on expensive batteries. Additionally, when not in use, simply recharge the Lithium-Ion Battery Pack using FreePlay's power cord.

FreePlay Kickstand (Part No. 2043880-00) contents:

Part No.	Quantity	Description
2043880-00	1	Lithium-Ion Battery Pack
2045707	1	Printed Instruction Sheet

Required Tools (not included):

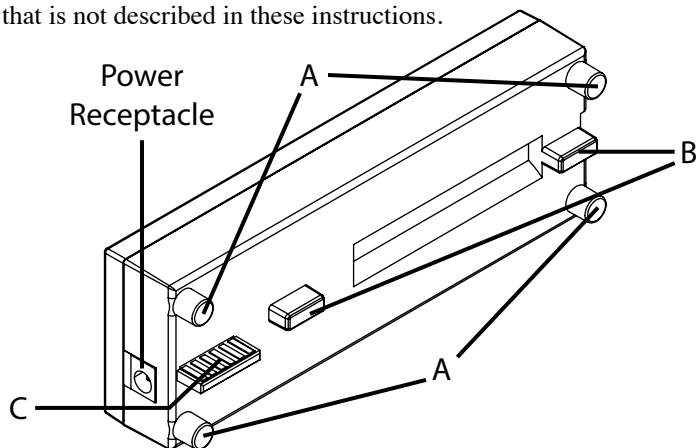
Flathead screwdriver

Safety First!

Before installing and using this product, please read these instructions carefully and keep them on hand for future reference. Failure to follow the precautions may result in damage, injury, or even death.

1. **WARNING:** The battery (battery or batteries or battery pack) shall not be exposed to excessive heat such as sunshine, fire or the like.
2. **CAUTION:** Danger of explosion if battery is incorrectly replaced. Replace only with the same or equivalent type.
3. No open flame sources, such as lighted candles, should be placed on the apparatus.

! WARNING: When installing this product, always respect the safety standard. Do not install the product in any way that is not described in these instructions.



LOUD Technologies Inc. • 16220 Wood-Red Road NE
Woodinville • WA • 98072 • 800/258-6883
Outside the U.S. call 425/487-4333 • FAX 425/487-4337

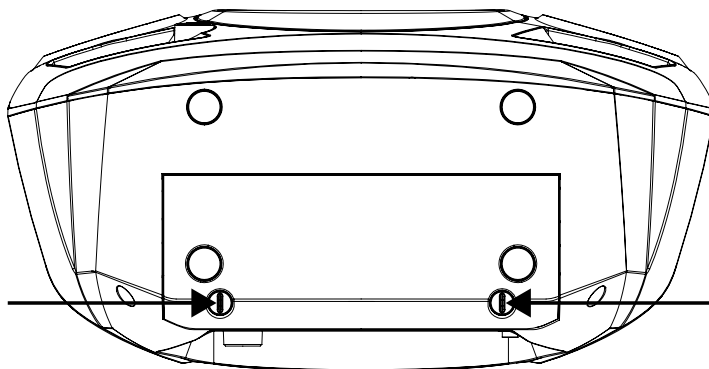
Disclaimer:
LOUD Technologies Inc. continually engages in research related to product improvement. New material, production methods, and design refinements are introduced into existing products without notice as a routine expression of that philosophy. For this reason, any current LOUD Technologies Inc. product may differ in some respect from its published description, but will always equal or exceed the original design specifications unless otherwise stated.

Part No. SW1102 Rev A 03/15
© 2015 LOUD Technologies Inc. All Rights Reserved.

Battery Cover Removal

In order to install the Lithium-Ion Battery Pack, the battery cover must be removed first.

1. Using a flathead screwdriver, rotate the two locking tabs counter-clockwise until they unlock and “pop” up.



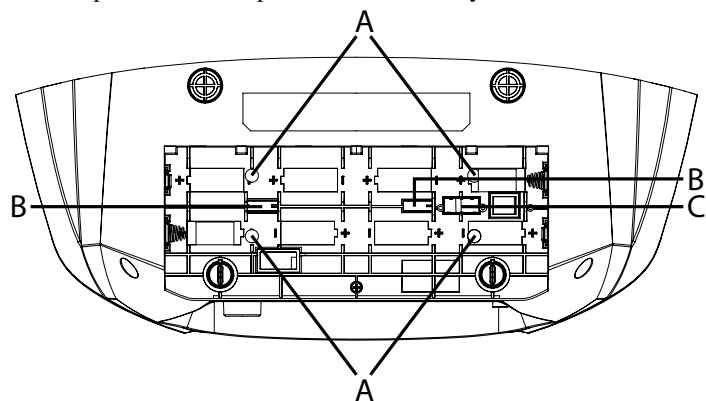
2. Remove the battery compartment cover and set it aside.

Battery Pack Installation

Once the battery cover (and all batteries, if applicable) have been removed and set aside, it's time to attach the battery pack.

NOTE: Do not force the battery pack into place. There is only one way it fits and there should be no resistance during installation.

1. Line up the four circular feet (“A”), two rectangular support braces (“B”) and power connector (“C”) of the battery pack with their respective counterparts on the FreePlay.



2. Replace the battery cover and lock it to the FreePlay by rotating the two locking tabs clockwise until they lock into place.

NOTE: When not in use, recharge the Lithium-Ion Battery Pack by plugging the FreePlay's power cord into the power receptacle of the battery pack. The battery pack will also charge while inside a plugged in FreePlay unit.