



DRM Series Passive Loudspeakers

DRM Series Professional Passive Loudspeakers deliver high-performance, crystal-clear sound with the rugged construction and reliability that professional production and install customers demand.

Custom transducers housed in coated touring-grade plywood cabinets are designed for consistent performance in the most demanding applications.

Equipped with M10 flypoints, dual angle pole mounts, and available line array configurations; the DRM Series is perfect for clubs, houses of worship, rental systems and more.

Combine with MX Series Amplifiers* and the SP260 Loudspeaker Processor for a complete Mackie professional system.

*MX Series Amplifiers not available in the US, Canada, China, Japan and other 100 – 120V countries.

APPLICATIONS:

Medium to large-size club/band PA systems, houses of worship, DJs, rehearsal spaces, gymnasiums, banquet halls, A/V rentals and many, many more.

FEATURES:

- High-output professional loudspeakers with up to 2000W of power handling (peak)
- Custom high-excursion woofers offer minimal distortion with increased bass response and reliability to withstand the most demanding live applications
- Titanium diaphragm compression drivers offers maximum transparency and clarity
- Precision internal crossover features premium grade components and precise tuning for maximum clarity and performance
- Parallel SpeakON inputs
- Available line array model for high-performance installations with flexible configuration options
- Road-worthy plywood construction and internal bracing offers optimal acoustic performance
- Touring-grade textured cabinet coating and powder-coated heavy gauge steel grille
- Dual angle pole-mount on DRM212-P and DRM215-P provides optimal coverage and minimal reflections in most venues
- Optional SP260 Loudspeaker Processor provides custom EQ curves and crossovers for your DRM Passive System
- Versatile rigging options
 - M10 flypoints*
 - DRM12A-P and DRM18S-P are flyable with up to 4 DRM12A-P cabinets and 2 DRM18S-P subwoofers**

*DRM212-P and DRM215-P can be flown in vertical orientation only

**DRM315-P can be flown in both vertical and horizontal orientations

**Requires optional FB100 fly bar and FKDRM18S Flyware kit



Like us



Follow us



Watch our dang videos

DRM212-P SPECIFICATIONS

Acoustic Performance

Type:	12" Professional Passive Loudspeaker
Frequency Range (-10 dB):	50 Hz - 20 kHz
Frequency Range (-3 dB):	60 Hz - 20 kHz
Horizontal Coverage Angle:	90°
Vertical Coverage Angle:	60°
Power Handling:	800 watts RMS 1600 watts peak 128 dB max SPL peak
Crossover Frequency:	1.5 kHz
Monitor Angle:	50°

Transducers

Low Frequency:	12 in / 305 mm with ferrite
High Frequency:	1.4 in / 36 mm titanium dome compression driver

Physical Features

Input Type:	1x Female speakON
Thru Type:	1x Female speakON
Nominal Impedance:	8 Ω
Basic Design:	Asymmetrical
Enclosure Material:	15 mm Plywood
Enclosure Finish:	Black Polyurea
Grille Material:	16-18 gauge perforated steel
Grille Finish:	Powder-coated black
Handles:	One on each side, one on top
Operating Temperature:	0 - 40 °C 32 - 104 °F

Physical Properties (product)

Height:	25.0 in / 635 mm
Width:	14.7 in / 373 mm
Depth:	16.2 in / 411 mm
Weight:	42.0 lb / 19.1 kg

Physical Properties (packaged product)

Height:	29.6 in / 752 mm
Width:	19.3 in / 490 mm
Depth:	18.7 in / 475 mm
Weight:	50.4 lb / 22.9 kg

Mounting Methods

Floor mount, pole mount via the built-in socket on the bottom of the cabinet [Be sure the pole is capable of supporting the weight of the DRM212-P] or fly via the integrated M10 mounting points (using M10 x 1.5 x 20 mm forged shoulder eyebolts).

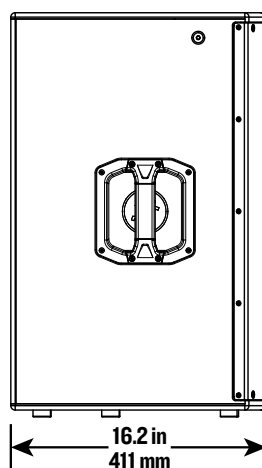
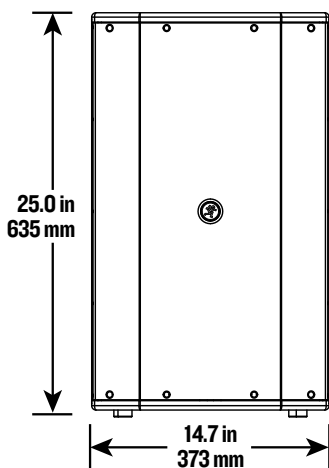
Options

DRM212 Cover:	P/N 2036809-48
SPM400 Loudspeaker Pole Mount:	P/N 2051055
PA-A2 Forged Shoulder Eyebolt Kit (3 x M10 x 1.5 x 20 mm)	P/N 2051054

Ordering Information

DRM212-P 12" Professional Passive Loudspeaker	P/N 2050800-00
---	----------------

WEIGHT
42.0 lb
19.1 kg



DRM215-P SPECIFICATIONS

Acoustic Performance

Type:	15" Professional Passive Loudspeaker
Frequency Range (-10 dB):	45 Hz - 20 kHz
Frequency Range (-3 dB):	70 Hz - 18 kHz
Horizontal Coverage Angle:	90°
Vertical Coverage Angle:	60°
Power Handling:	800 watts RMS 1600 watts peak 129 dB max SPL peak
Crossover Frequency:	1.5 kHz
Monitor Angle:	50°

Transducers

Low Frequency:	15 in / 381 mm with ferrite
High Frequency:	1.4 in / 36 mm titanium dome compression driver

Physical Features

Input Type:	1x Female speakON
Thru Type:	1x Female speakON
Nominal Impedance:	8 Ω
Basic Design:	Asymmetrical
Enclosure Material:	15 mm Plywood
Enclosure Finish:	Black Polyurea
Grille Material:	16-18 gauge perforated steel
Grille Finish:	Powder-coated black
Handles:	One on each side, one on top
Operating Temperature:	0 - 40 °C 32 - 104 °F

Physical Properties (product)

Height:	28.3 in / 719 mm
Width:	18.1 in / 460 mm
Depth:	17.0 in / 432 mm
Weight:	51.9 lb / 23.5 kg

Physical Properties (packaged product)

Height:	32.7 in / 831 mm
Width:	21.8 in / 554 mm
Depth:	20.5 in / 521 mm
Weight:	59.6 lb / 27.0 kg

Mounting Methods

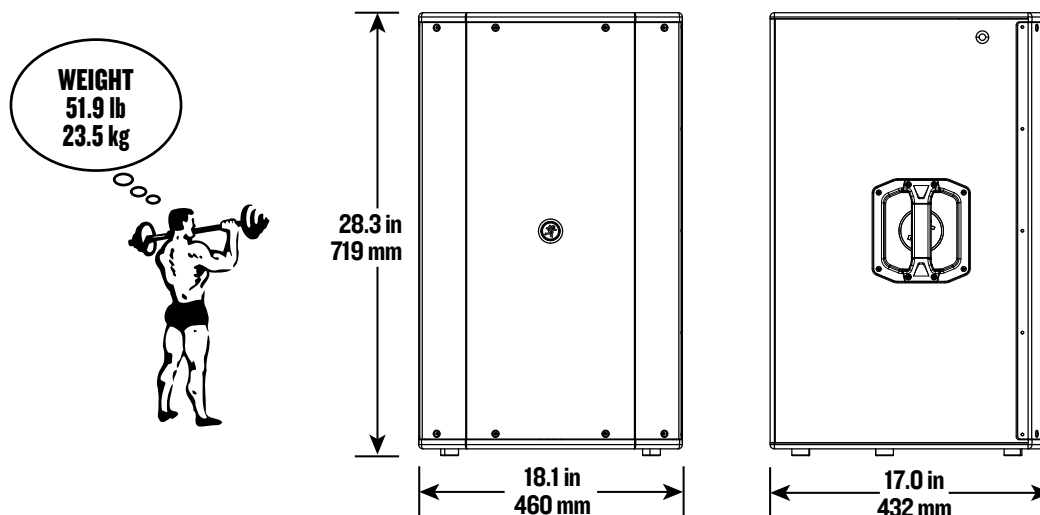
Floor mount, pole mount via the built-in socket on the bottom of the cabinet [Be sure the pole is capable of supporting the weight of the DRM215-P] or fly via the integrated M10 mounting points (using M10 x 1.5 x 20 mm forged shoulder eyebolts).

Options

DRM215 Cover:	P/N 2036809-49
SPM400 Loudspeaker Pole Mount:	P/N 2051055
PA-A2 Forged Shoulder Eyebolt Kit (3 x M10 x 1.5 x 20 mm)	P/N 2051054

Ordering Information

DRM215-P 15" Professional Passive Loudspeaker	P/N 2050810-00
---	----------------



DRM315-P SPECIFICATIONS

Acoustic Performance

Type:	15" 3-way Professional Passive Loudspeaker
Frequency Range (-10 dB):	45 Hz - 20 kHz
Frequency Range (-3 dB):	65 Hz - 18 kHz
Horizontal Coverage Angle:	90° [rotatable]
Vertical Coverage Angle:	60° [rotatable]
Power Handling:	1000 watts RMS 2000 watts peak 136 dB max SPL peak
Crossover Frequency:	900 Hz [LF / MF] 2.5 kHz [MF / THF]

Transducers

Low Frequency:	15 in / 381 mm with ferrite
Mid Frequency:	6.5 in / 165 mm
High Frequency:	1.4 in / 36 mm titanium dome compression driver

Physical Features

Input Type:	1x Female speakON
Thru Type:	1x Female speakON
Nominal Impedance:	4 Ω
Basic Design:	Vertical Trapezoidal
Enclosure Material:	15 mm Plywood
Enclosure Finish:	Black Polyurea
Grille Material:	16-18 gauge perforated steel
Grille Finish:	Powder-coated black
Handles:	One on each side
Operating Temperature:	0 - 40 °C 32 - 104 °F

Physical Properties (product)

Height:	36.5 in / 927 mm
Width:	19.0 in / 483 mm
Depth:	18.8 in / 478 mm
Weight:	67.5 lb / 30.6 kg

Physical Properties (packaged product)

Height:	39.2 in / 996 mm
Width:	22.2 in / 564 mm
Depth:	22.3 in / 566 mm
Weight:	80.5 lb / 36.5 kg

Mounting Methods

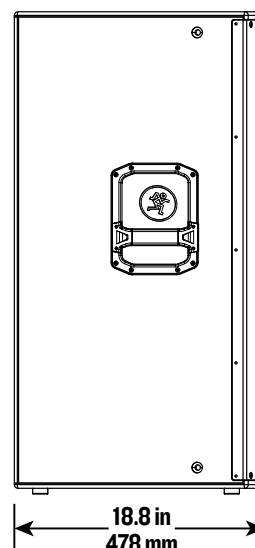
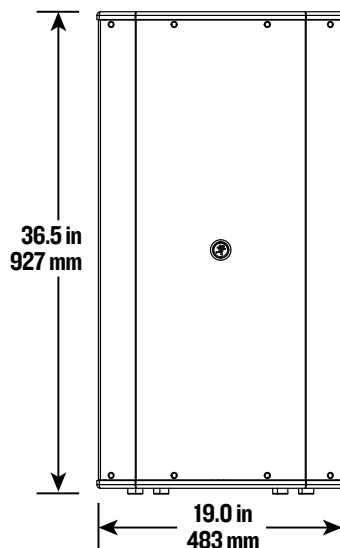
Floor mount, pole mount via the built-in socket on the bottom of the cabinet [Be sure the pole is capable of supporting the weight of the DRM315-P] or fly via the integrated M10 mounting points (using M10 x 1.5 x 20 mm forged shoulder eyebolts).

Options

DRM315-P Cover:	P/N 2036809-50
SPM400 Loudspeaker Pole Mount:	P/N 2051055
PA-A2 Forged Shoulder Eyebolt Kit (3 x M10 x 1.5 x 20 mm)	P/N 2051054

Ordering Information

DRM315-P 15" 3-way Professional Passive Ldsprk	P/N 2050820-00
--	----------------



DRM12A-P SPECIFICATIONS

Acoustic Performance

Type:	12" Arrayable Passive Loudspeaker
Frequency Range (-10 dB):	47 Hz - 20 kHz
Frequency Range (-3 dB):	60 Hz - 18 kHz
Horizontal Coverage Angle:	110°
Vertical Coverage Angle:	20°
Power Handling:	1000 watts RMS 2000 watts peak 132 dB max SPL peak
Crossover Frequency:	1.0 kHz
Monitor Angle:	50°

Transducers

Low Frequency:	12 in / 305 mm with ferrite
High Frequency:	3x 1.0 in / 25 mm titanium dome compression driver

Array Coverage

Horizontal Coverage (-6 dB):	110° averaged 2 kHz to 10 kHz
Vertical Coverage (-6 dB):	
1x DRM12A-P	20° averaged 2 kHz to 10 kHz
2x DRM12A-P	40° averaged 2 kHz to 10 kHz
3x DRM12A-P	60° averaged 2 kHz to 10 kHz
4x DRM12A-P	80° averaged 2 kHz to 10 kHz

Physical Features

Input Type:	1x Female speakON
Thru Type:	1x Female speakON
Nominal Impedance:	8 Ω
Basic Design:	Horizontal Trapezoidal
Enclosure Material:	15 mm Plywood
Enclosure Finish:	Black Polyurea
Grille Material:	16-18 gauge perforated steel
Grille Finish:	Powder-coated black
Handles:	One on each side
Operating Temperature:	0 - 40 °C 32 - 104 °F

Physical Properties (product)

Height:	15.2 in / 386 mm
Width:	24.7 in / 627 mm
Depth:	18.0 in / 457 mm
Weight:	53.7 lb / 24.4 kg

Physical Properties (packaged product)

Height:	18.9 in / 480 mm
Width:	28.4 in / 721 mm
Depth:	21.1 in / 536 mm
Weight:	60.7 lb / 27.5 kg

Mounting Methods

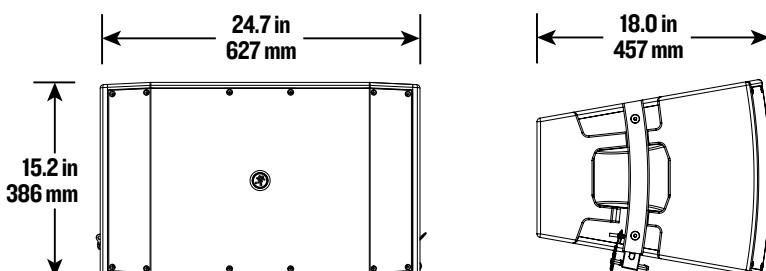
Floor mount, pole mount via the built-in socket on the bottom of the cabinet [Be sure the pole is capable of supporting the weight of the DRM12A-P] or fly via the integrated M10 mounting points (using M10 x 1.5 x 20 mm forged shoulder eyebolts).

Options

DRM12A Cover:	P/N 2036809-52
FB100 Flybar Kit:	P/N 2050041
SPM400 Loudspeaker Pole Mount:	P/N 2051055
PA-A2 Forged Shoulder Eyebolt Kit (3 x M10 x 1.5 x 20 mm)	P/N 2051054

Ordering Information

DRM12A-P 12" Arrayable Passive Loudspeaker	P/N 2050840-00
--	----------------



DRM18S-P SPECIFICATIONS

Acoustic Performance

Type:	18" Professional Passive Subwoofer
Frequency Range (-10 dB):	33 Hz - 250 Hz
Frequency Range (-3 dB):	40 Hz - 250 Hz
Power Handling:	1000 watts RMS 2000 watts peak 129 dB max SPL peak
Crossover Frequency:	1.5 kHz

Transducers

Low Frequency:	18 in / 457 mm with ferrite
----------------	-----------------------------

Physical Features

Input Type:	1x Female speakON
Thru Type:	1x Female speakON
Nominal Impedance:	8 Ω
Basic Design:	Rectangular
Enclosure Material:	18 mm Plywood
Enclosure Finish:	Black Polyurea
Grille Material:	16-18 gauge perforated steel
Grille Finish:	Powder-coated black
Handles:	One on each side
Operating Temperature:	0 - 40 °C 32 - 104 °F

Physical Properties (product)

Height:	23.3 in / 592 mm
Width:	23.0 in / 584 mm
Depth:	31.1 in / 790 mm
Weight:	75.7 lb / 34.3 kg

Physical Properties (packaged product)

Height:	25.9 in / 658 mm
Width:	28.0 in / 711 mm
Depth:	35.6 in / 904 mm
Weight:	86.9 lb / 39.4 kg

Mounting Methods

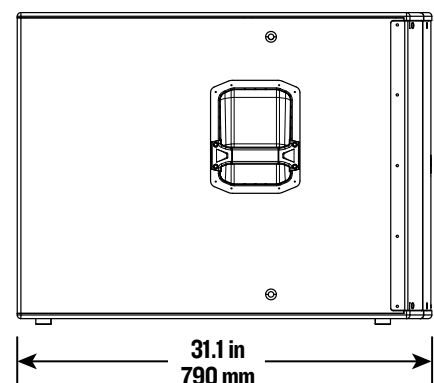
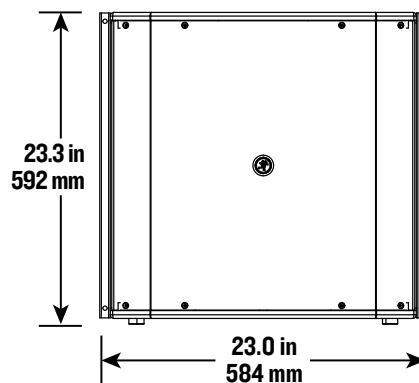
Floor mount or fly via the integrated M10 mounting points (using M10 x 1.5 x 20 mm forged shoulder eyebolts).

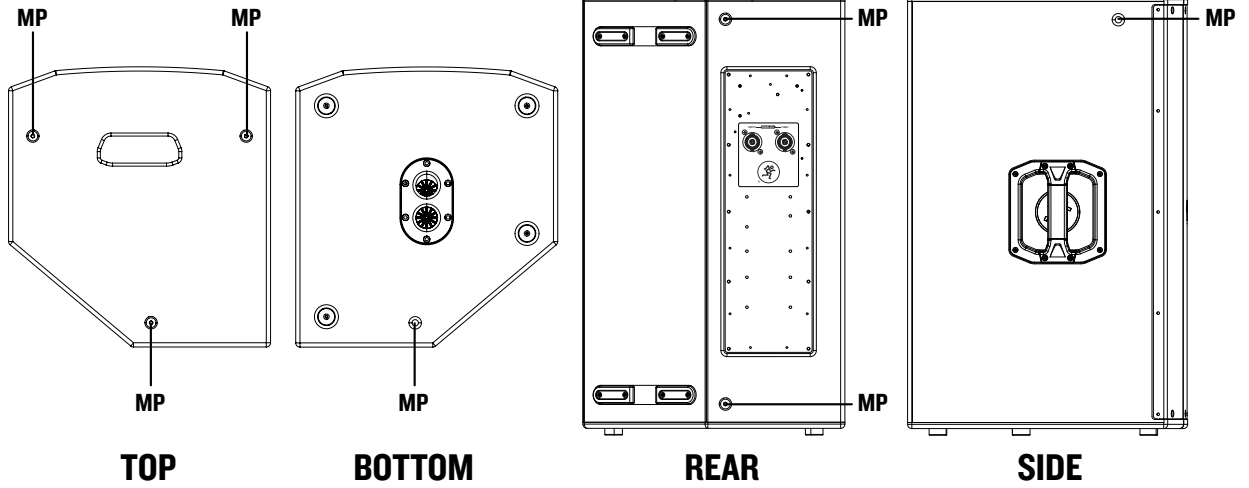
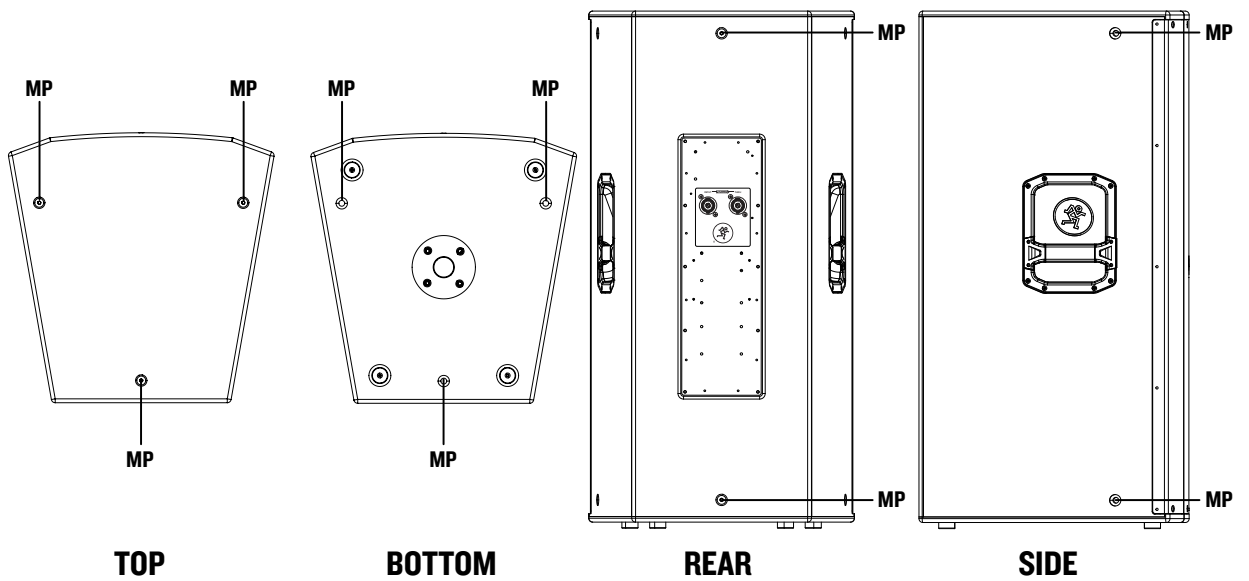
Options

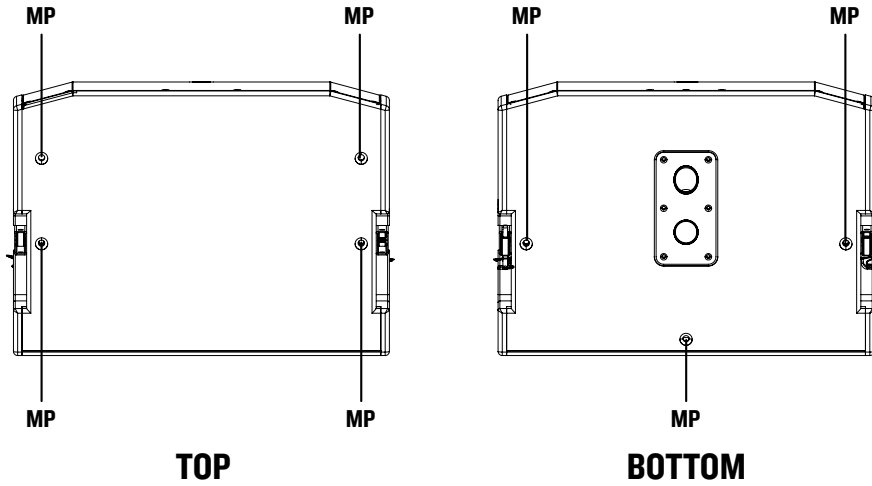
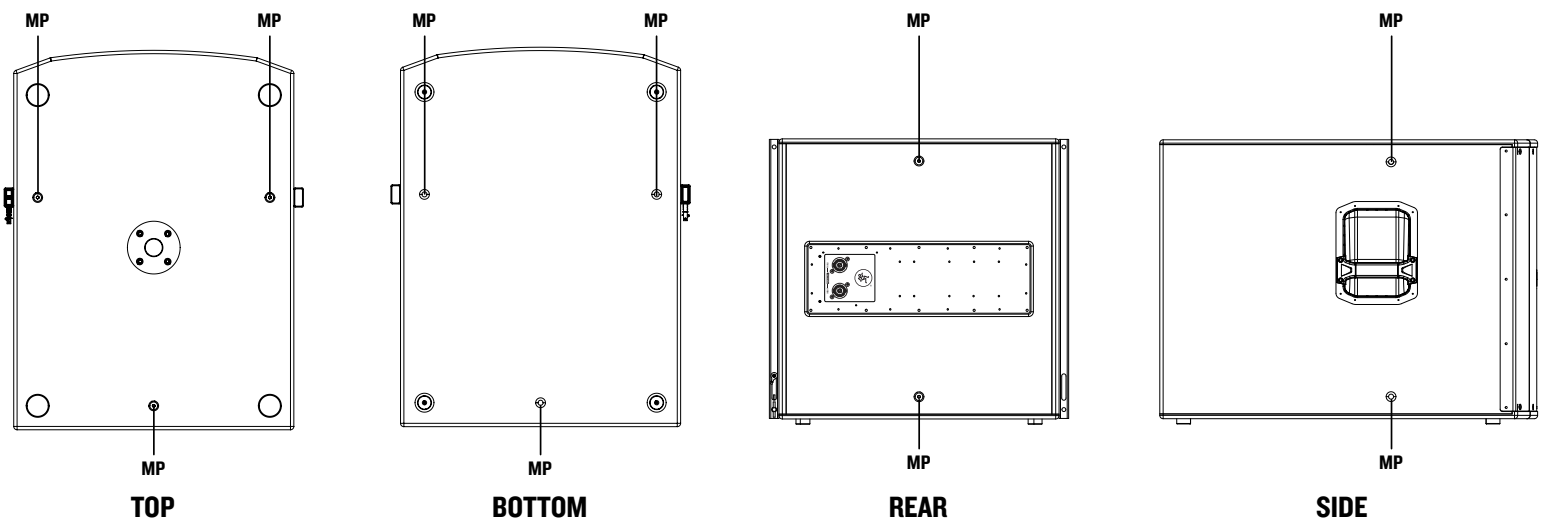
DRM18S Cover:	P/N 2036809-51
FKDRM18S Flyware Kit:	P/N 2051056
FB100 Flybar Kit:	P/N 2050041
CK100 Caster Kit:	P/N 2035618-01
SPM400 Loudspeaker Pole Mount:	P/N 2051055
PA-A2 Forged Shoulder Eyebolt Kit (3 x M10 x 1.5 x 20 mm)	P/N 2051054

Ordering Information

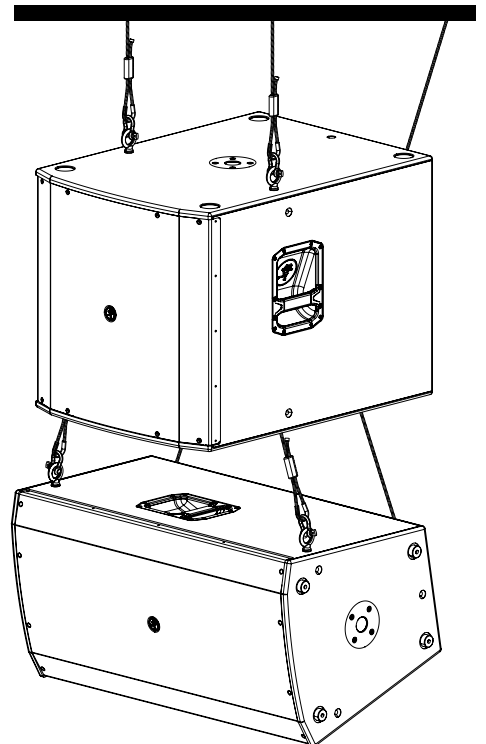
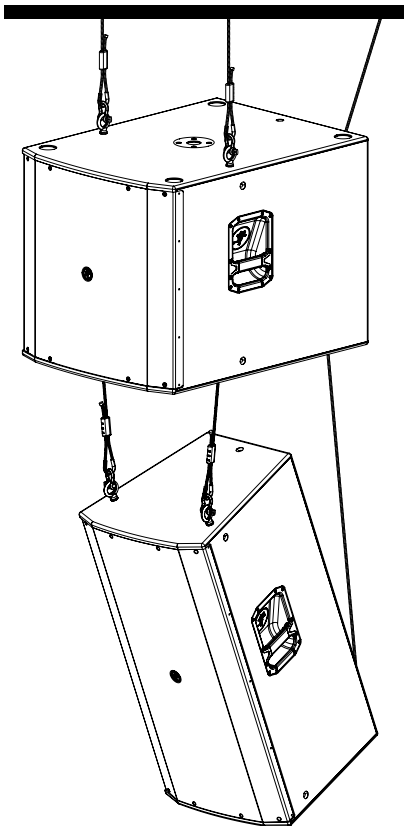
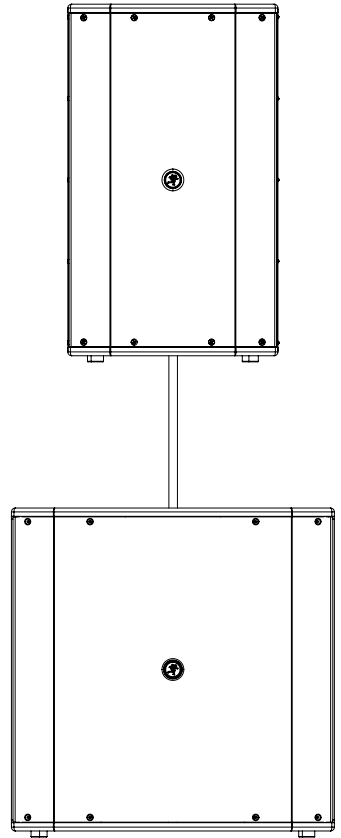
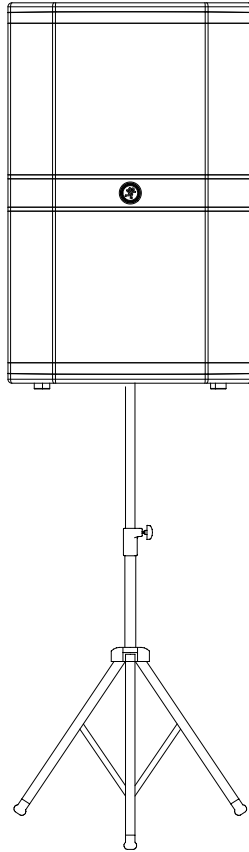
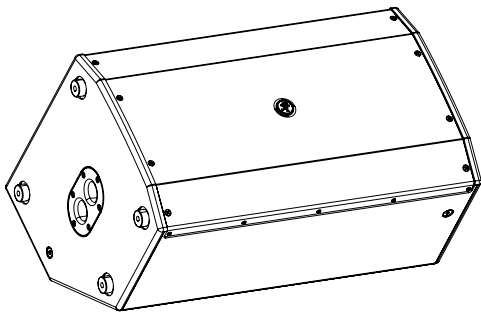
DRM18S-P 18" Professional Passive Subwoofer	P/N 2050830-00
---	----------------



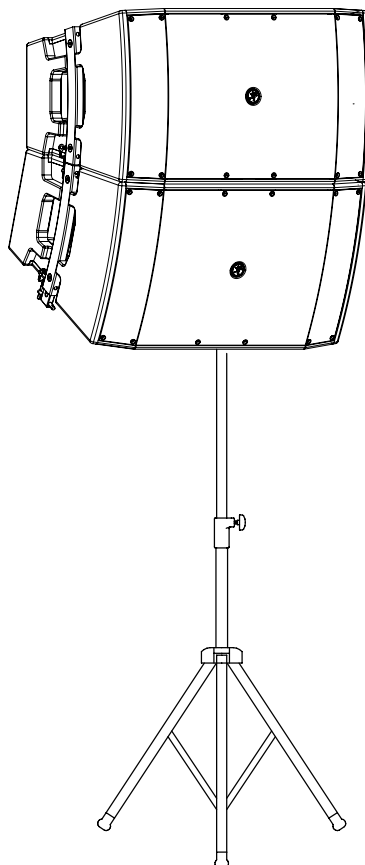
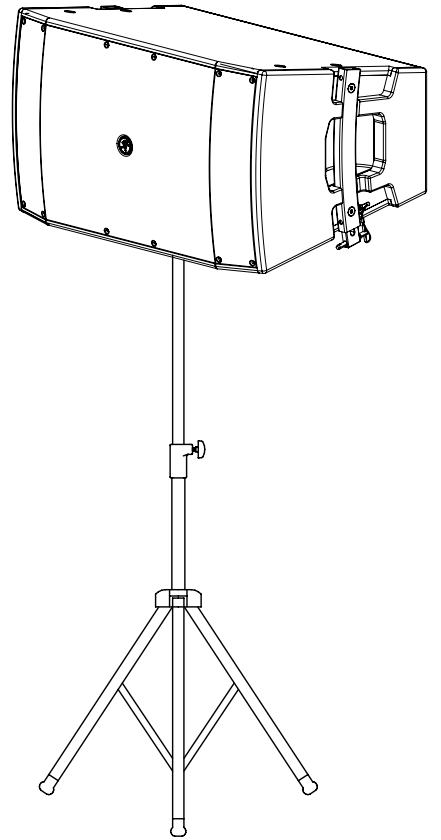
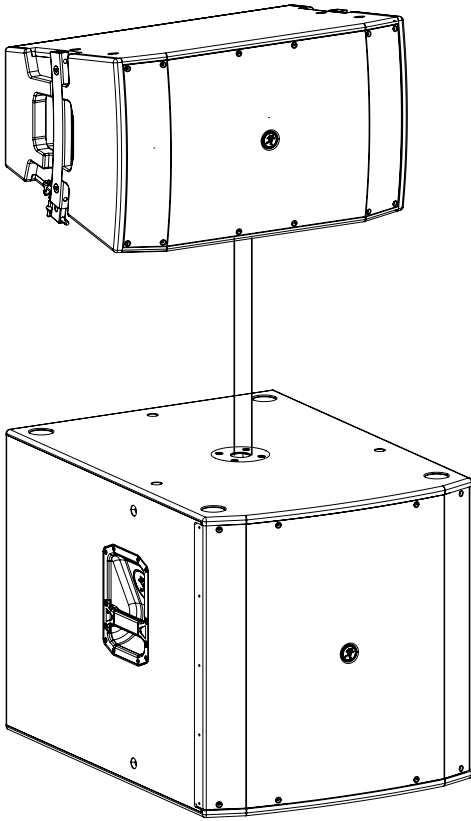
DRM212-P • DRM215-P MOUNTING POINTS

DRM315-P MOUNTING POINTS


DRM12A-P MOUNTING POINTS

DRM18S-P MOUNTING POINTS


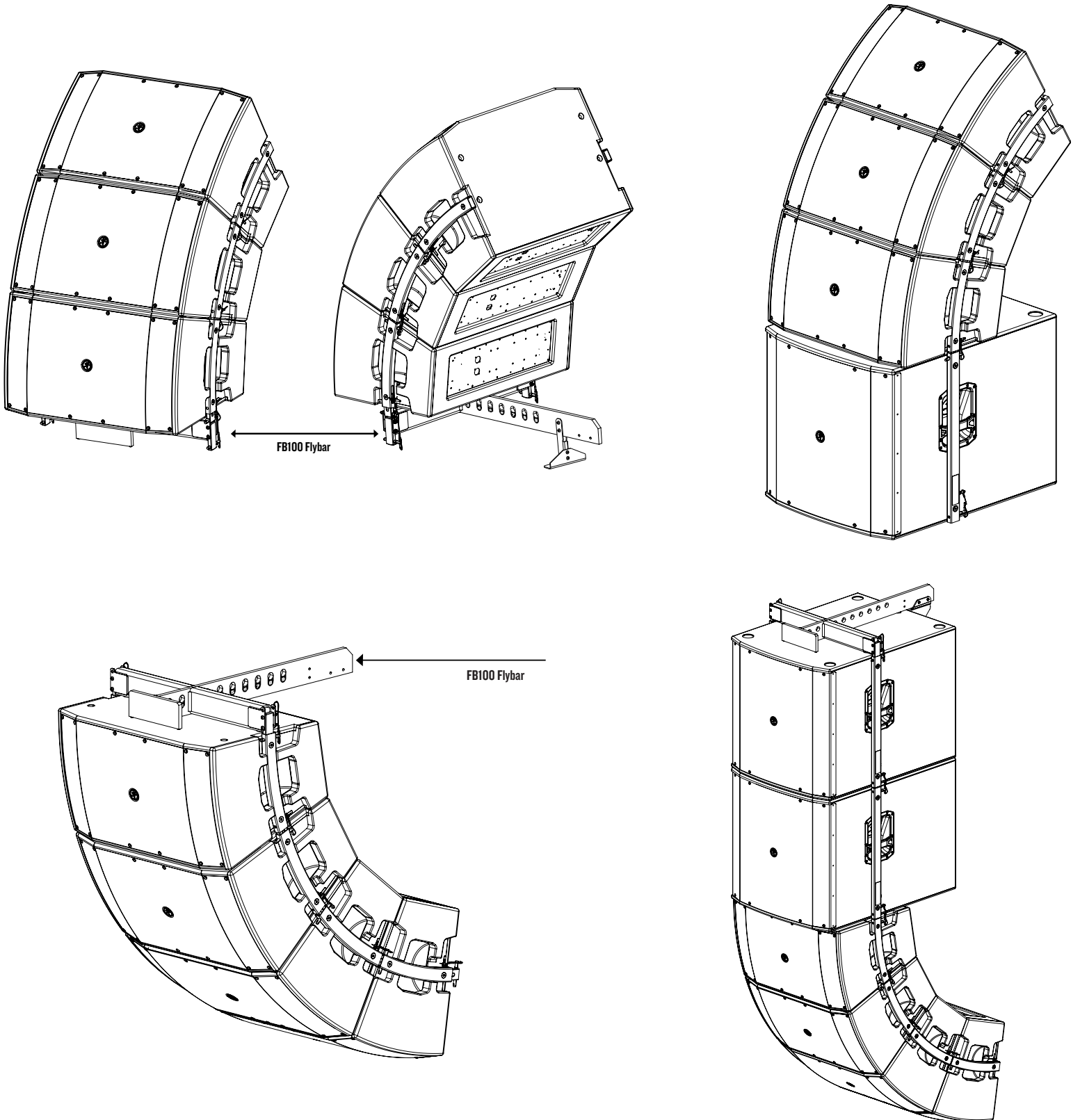
DRM SERIES PASSIVE LOUDSPEAKERS RIGGING POSSIBILITIES

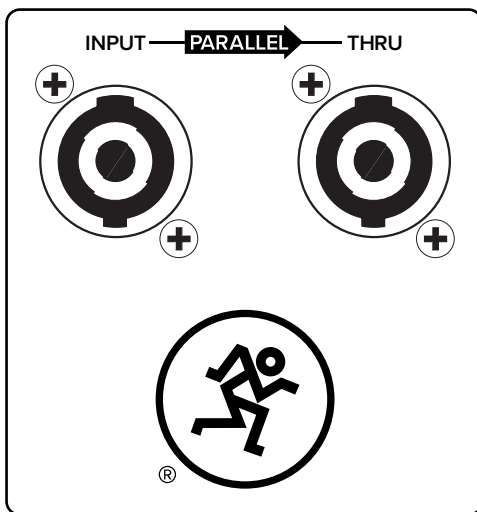


DRM SERIES PASSIVE LOUDSPEAKERS RIGGING POSSIBILITIES



DRM SERIES PASSIVE LOUDSPEAKERS RIGGING POSSIBILITIES



DRM SERIES PASSIVE LOUDSPEAKERS REAR PANEL

LOUD Audio, LLC. is always striving to improve our products by incorporating new and improved materials, components, and manufacturing methods. Therefore, we reserve the right to change these specifications at any time without notice.

“Mackie” and the “Running Man” figure are registered trademarks of LOUD Audio, LLC. All other brands mentioned are trademarks or registered trademarks of their respective holders, and are hereby acknowledged.

©2025 LOUD Audio, LLC. All rights reserved.

Electronic files for this product are available at:
www.mackie.com

Specification Sheet	DRM_Passive_Series_SS.PDF
Owner's Manual	DRM_Passive_Series_OM.PDF



www.mackie.com
19820 North Creek Parkway
Bothell, WA 98011 USA
800-898-3211, Fax 425-487-4337

Part No. SW1271 Rev. D 03/25

12/12 PAGES