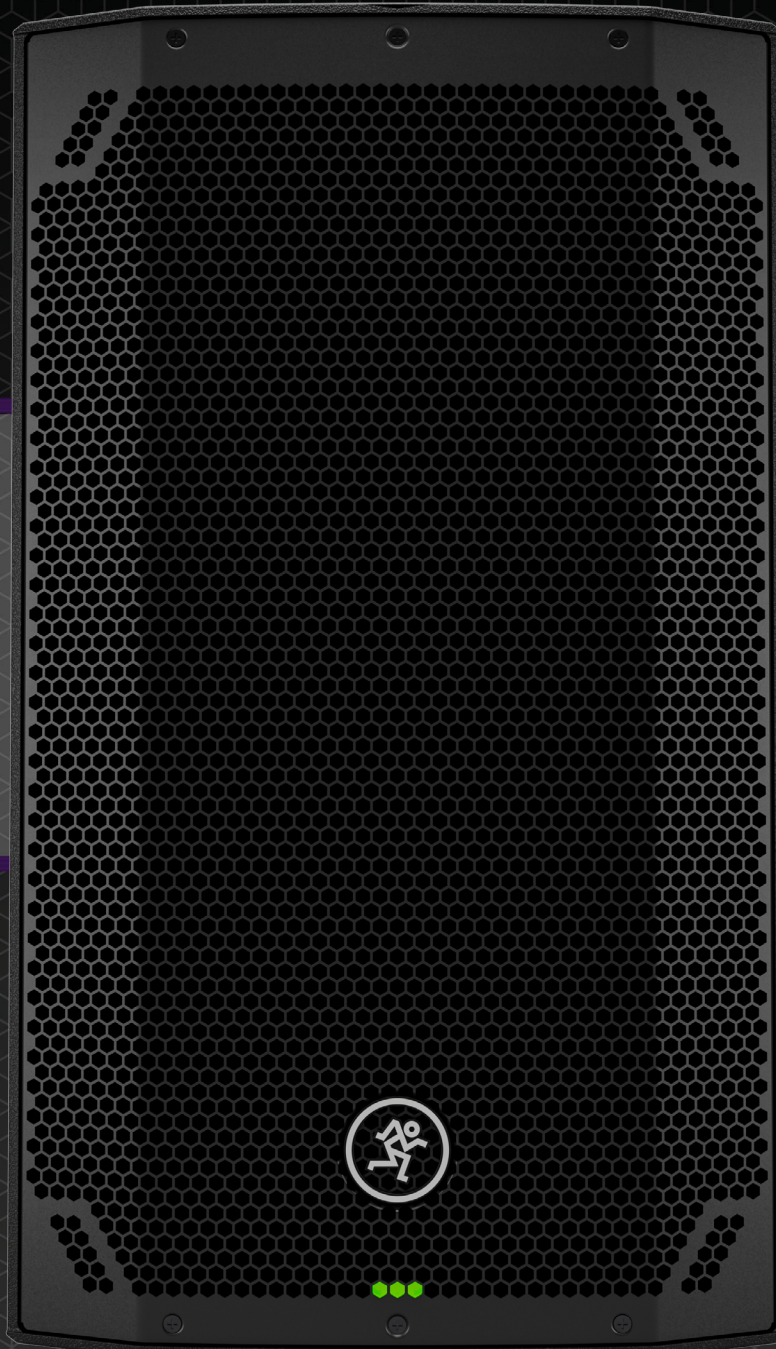




THUMP^{v4}

PROFESSIONAL POWERED LOUDSPEAKER SERIES

SPECIFICATION SHEET



MACKIE.

WELCOME

Introduction

Whether you're a musician taking the stage or a DJ packing the dance floor, make an impact with the THUMP12V4 and/or THUMP15V4 professional loudspeakers featuring SoundCheck DSP™.

Sound check is as easy as pressing a button, with selectable voicing modes that transforms THUMPV4 into an ideal PA speaker, DJ speaker, stage monitor, or flat speaker with pure sound.

Music Ducking, Feedback Eliminator, and Outdoor Mode are life savers that keep high-pressure professional gigs running smoothly.

Connect your mic and other sources to the built-in mixer. Pair your phone via Bluetooth® for wireless streaming and linking. Control every setting wirelessly from the app.

If you have any questions or comments about this Specification Sheet (or other Mackie documentation), please don't hesitate to contact us:

- www.mackie.com/support-contact

Features

- Loudest volume with 129 dB maximum SPL [THUMP12V4]
- Loudest volume with 130 dB maximum SPL [THUMP15V4]
- Lowest bass with 39 Hz low frequency response [THUMP12V4]
- Lowest bass with 34 Hz low frequency response [THUMP15V4]
- Clearest sound with SoundCheck DSP™
- 1400W class-D amp, 1" compression driver, 12" woofer [THUMP12V4]
- 1400W class-D amp, 1" compression driver, 15" woofer [THUMP15V4]
- Selectable voicing modes: Flat, DJ, Live, and Wedge
- Instant setup features: Outdoor Mode, Music Ducking, and Feedback Eliminator
- Bluetooth® streaming, linking, and Thump Connect 2 app
- Built-in mixer with inputs for mic and line-level sources
- Premium metal handles and rugged frame
- M10 fly points for suspending and permanent installation

Applications

Singer-songwriters, announcement PA, karaoke, clubs / cafés, houses of worship, schools, small restaurants, outdoor events / barbecues, banquet halls, conference rooms, boardrooms, and many, many more.

TECHNICAL INFORMATION

Specifications

Acoustic Performance

Frequency Response (-10 dB):	39 Hz - 20 kHz [THUMP12V4] 34 Hz - 20 kHz [THUMP15V4]
Frequency Response (-3 dB):	47 Hz - 20 kHz [THUMP12V4] 41 Hz - 20 kHz [THUMP15V4]
Horizontal Coverage (-12 dB):	140°
Vertical Coverage (-12 dB):	60°
Maximum SPL Peak:	129 dB [THUMP12V4] 130 dB [THUMP15V4]
Monitor Angle:	40°

Transducers

Low Frequency:	12 in / 305 mm woofer with ferrite [THUMP12V4] 15 in / 381 mm woofer with ferrite [THUMP15V4]
High Frequency:	1.0 in / 25 mm high-temperature polymeric compression driver

Power Amplifiers

System Power Amplification	
Rated Power:	1400 watts peak
Low Frequency Power Amplifier	
Rated Power:	1200 watts peak
Rated THD:	<1%
Cooling:	Convection
Design:	Class D
High Frequency Power Amplifier	
Rated Power:	200 watts peak
Rated THD:	<1%
Cooling:	Convection
Design:	Class D

SPECIFICATIONS CONTINUED

Input / Output

Input Type 2x Female XLR – 1/4" Balanced TRS combo jack, 1/8" TRS, and Bluetooth

Mic/Line Impedance 10 k Ω Balanced

1/8" Line Impedance 10 k Ω Balanced

Mix Out Male XLR Balanced

Mix Out Impedance 150 Ω Balanced

Electronic Crossover

Crossover Frequency 1.8 kHz

Bluetooth Information

Bluetooth Protocol 5.0

Bluetooth Function Audio streaming and user interface control

Line Input Power

Detachable line cord 100–240V~, 50–60 Hz, 300W [THUMP12V4]
 100–240V~, 50–60 Hz, 350W [THUMP15V4]

AC Connector 3-pin IEC 250 VAC, 10 A male

Power Supply Type Switchmode Universal mains regulated
 power supply with PFC integrated

System Processing

Voicing Mode Four voicing modes:
 Flat, DJ, Live, Wedge

Safety Features

Transducer Protection Peak and RMS limiting

Environmental Protection Power supply and amplifier thermal protection

Feedback Eliminator On / Off

Display LEDs Voicing Mode, Outdoor Mode,
 Music Ducking, Feedback Eliminator,
 Front LED, Bluetooth Status,
 Link Status, Signal/Overload

SPECIFICATIONS CONTINUED

Mounting Methods

Floor mount, pole mount via the built-in socket on the bottom of the cabinet [Be sure the pole is capable of supporting the weight of the THUMPV4 loudspeaker], or fly via the integrated M10 mounting points (using M10 x 1.5 x 17 mm forged shoulder eyebolts). See the owner’s manual for more information.

Options

THUMP12V4 Speaker Bag	P/N 2047360-09
THUMP12V4 Rolling Speaker Bag.....	P/N 2047360-10
THUMP15V4 Speaker Bag	P/N 2047360-11
THUMP15V4 Rolling Speaker Bag	P/N 2047360-12
T100 Loudspeaker Tripod Stand	P/N 2052464
SPM400 M20 Threaded Subwoofer Pole Mount	P/N 2051055
PA-A3 Forged Shoulder Eyebolt Kit (3 x M10 x 17 mm)	P/N 2036960

Physical Properties (Product)

THUMP12V4

Height:	24.4 in // 620 mm
Width:.....	14.0 in // 356 mm
Depth:	14.0 in // 356 mm
Weight:	27.5 lb // 12.5 kg

THUMP15V4

Height:	27.4 in // 696 mm
Width:.....	17.3 in // 439 mm
Depth:	14.0 in // 356 mm
Weight:	32.6 lb // 14.8 kg

Physical Properties (Packaged Product)

THUMP12V4

Height:	27.2 in // 691 mm
Width:.....	16.5 in // 419 mm
Depth:	16.5 in // 419 mm
Weight:	33.4 lb // 15.1 kg

THUMP15V4

Height:	29.9 in // 759 mm
Width:.....	19.3 in // 490 mm
Depth:	16.1 in // 409 mm
Weight:	39.2 lb // 17.8 kg

SPECIFICATIONS CONTINUED

Ordering Information

THUMP12V4 12" PROFESSIONAL POWERED LOUDSPEAKER

US	2059975-00 (US)
EU	2059975-01 (EU)
JP	2059975-02 (JP)
UK	2059975-03 (UK)
AU	2059975-04 (AU)
CN	2059975-05 (CN)
BZ ~120V	2059975-06 (BZ ~120V)
AR	2059975-07 (AR)
KR	2059975-08 (KR)
IN	2059975-09 (IN)

THUMP15V4 15" PROFESSIONAL POWERED LOUDSPEAKER

US	2059985-00 (US)
EU	2059985-01 (EU)
JP	2059985-01 (JP)
UK	2059985-03 (UK)
AU	2059985-04 (AU)
CN	2059985-05 (CN)
BZ ~120V	2059985-06 (BZ ~120V)
AR	22059985-07 (AR)
KR	2059985-08 (KR)
IN	2059985-09 (IN)

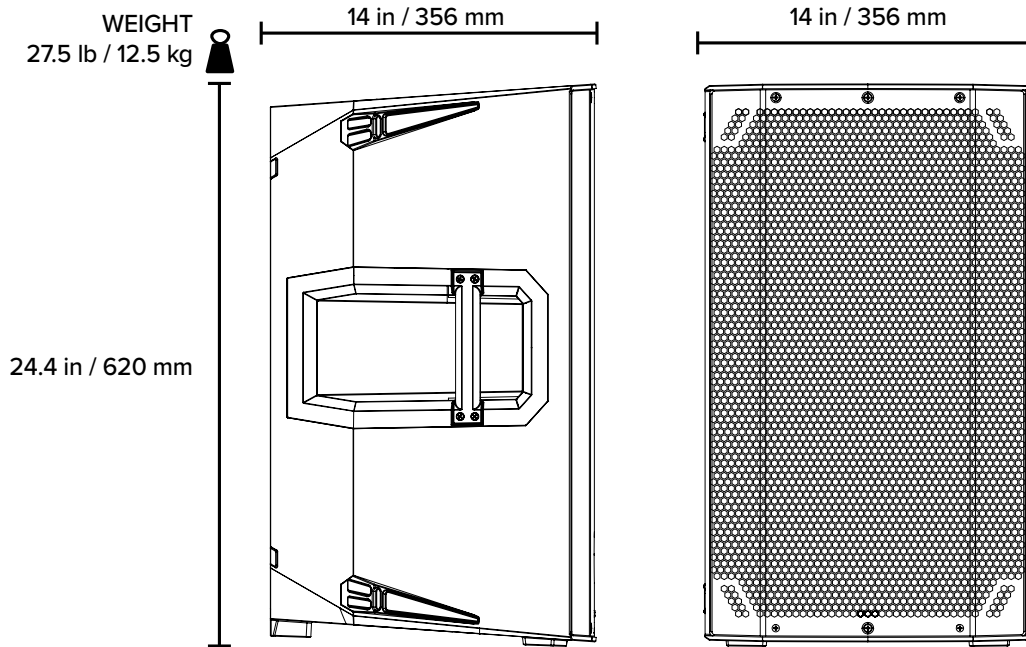
About

Part Number, Rev and Date:.....SW1509, Rev A, April 2026

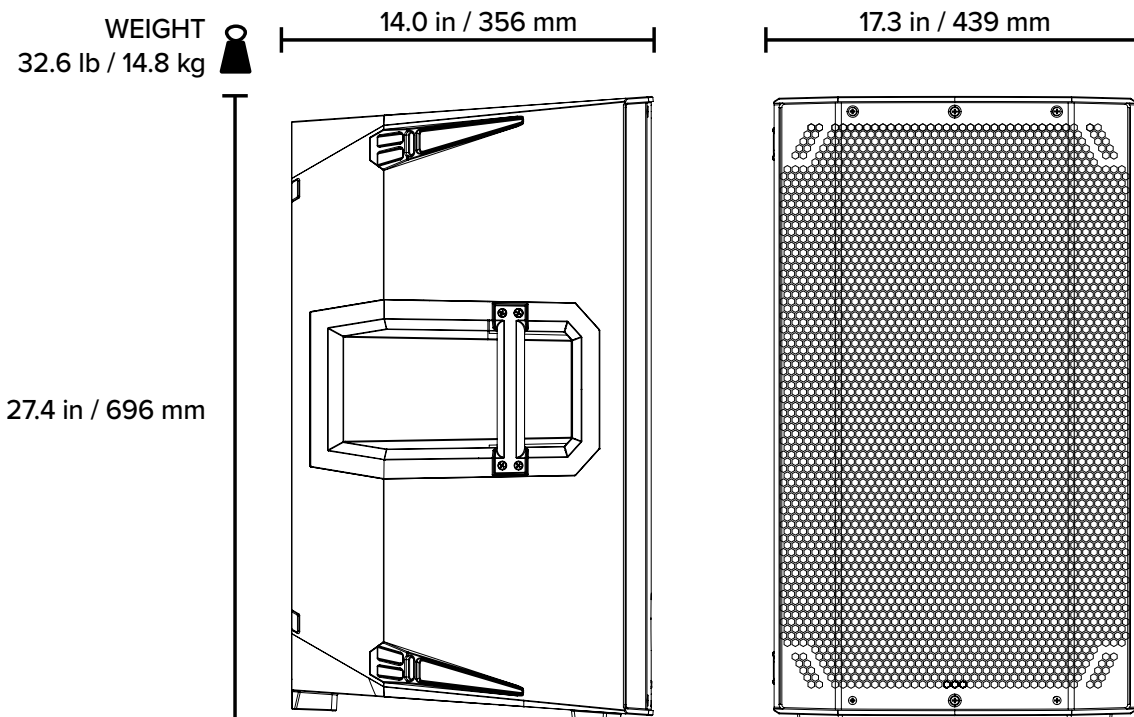
LOUD Audio, LLC. is always striving to improve our products by incorporating new and improved materials, components, and manufacturing methods. Therefore, we reserve the right to change these specifications at any time without notice. The "Running Man" is a registered trademark of LOUD Audio, LLC. All other brand names mentioned are trademarks or registered trademarks of their respective holders, and are hereby acknowledged.

Please check our website for any updates to this Owner's Manual: www.mackie.com.
 ©2026 LOUD Audio, LLC. All right All right All rights reserved.

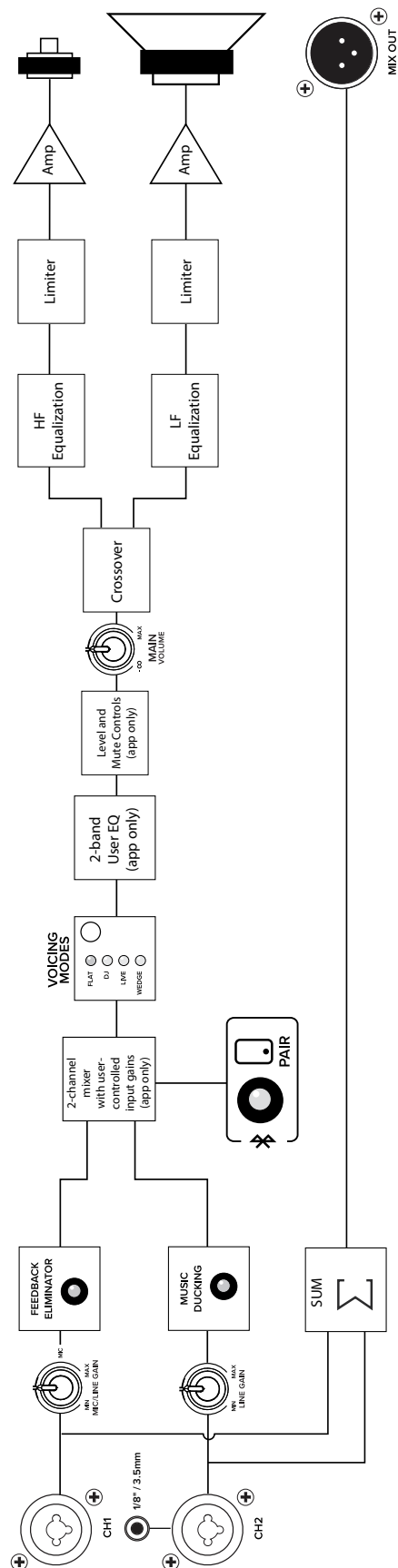
THUMP12V4 DIMENSIONS



THUMP15V4 DIMENSIONS



THUMPV4 LOUDSPEAKER SERIES BLOCK DIAGRAM



THUMPV4 LOUDSPEAKER SERIES REAR PANEL





19820 North Creek Parkway #201
Bothell, WA 98011 • USA
www.mackie.com

MACKIE®