

# PA-A2 Eyebolt Installation Instructions

## Description

The contents of the PA-A2 Eyebolt Kit allow you to rig one of the following loudspeakers/subwoofers:

DRM-212, DRM-215, DRM-315, DRM-18S, DRM-12A, DRM-212P, DRM-215P, DRM-315P, DRM-18SP, DRM-12AP, HD1801, HD1221, HDA.

**\*\*\*Only ONE loudspeaker/subwoofer may be mounted per PA-A2 Eyebolt Kit.\*\*\***

PA-A2 Eyebolt Kit (Part No. 2051054) contents:

Part No.	Quantity	Description
0029818	4	Eyebolt, Forged shoulder, Black, M10 x 1.5 x 37 mm
0025068	4	Washer, Flat Black, M10
0032747	1	Instruction Sheet

Required Tools (not included):

6 mm Hex Driver

## Safety First!

Before installing and using this product, please read these instructions carefully and keep them on hand for future reference. Additionally, refer to the loudspeaker/subwoofer product manual for detailed product-specific rigging information. Failure to follow the precautions in both documents may result in damage, injury, or even death.

**! WARNING:** This product has been designed for installation only by qualified personnel having the technical know-how and experience or specific instructions to ensure correct execution of all of the operations involved to prevent any risk to personal safety. It is strongly recommended that this product be installed only by professionals or specialized firms. When installing this product, always respect the safety standard. Do not install the product in any way that is not described in these instructions.

**! WARNING:** The eyebolt adapter kit has been tested to a Working Load Limit (WLL) of 545 kg / 1200 lb with a design factor of 5:1. The WLL derates to a 182 kg / 400 lb at a 45° pull. Do not use an eyebolt for an angled pull greater than 45°. At least two eyebolts should be used in any PA-A2 install. Never apply a load that exceeds the Working Load Limit.

Before suspending the loudspeaker/subwoofer, make all of the necessary calculations to ensure that all of the components are used within their nominal work load range. Remember that the weakest component determines the safety level of the entire installation.

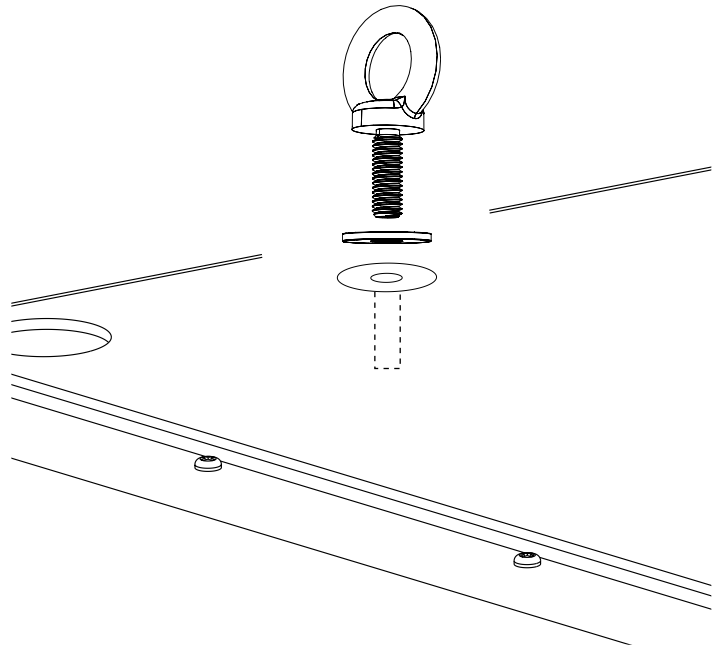
## Eyebolt Installation

Only one loudspeaker/subwoofer may be rigged per PA-A2 Eyebolt Kit. At least two eyebolts should be used in any installation utilizing the PA-A2 kit. Follow the steps below once you have found a suitable place to suspend the loudspeaker/subwoofer.

1. Using a 6 mm hex driver, remove the screws from the mounting points you wish to use.
2. Place the threaded part of the eyebolt through the washer.
3. Fully screw the eyebolt into the threaded insert of the loudspeaker/subwoofer.

**VERY IMPORTANT:** Do not over-tighten the eyebolt, as this could damage the threaded insert of the loudspeaker/subwoofer.

**NOTE:** A DRM loudspeaker is used in the example below. Please refer to the full manual on [mackie.com](http://mackie.com) for the location of the mounting points on your particular loudspeaker/subwoofer model.



Disclaimer:  
LOUD Audio, LLC. continually engages in research related to product improvement. New material, production methods, and design refinements are introduced into existing products without notice as a routine expression of that philosophy. For this reason, any current LOUD Audio, LLC. product may differ in some respect from its published description, but will always equal or exceed the original design specifications unless otherwise stated.

Part No. SW0749 Rev C 06/24  
© 2024 LOUD Audio, LLC. All Rights Reserved.

LOUD Audio, LLC. • 19820 North Creek Parkway #201  
Bothell, WA 98011 • Usa • 800.898.3211  
Outside the U.S. call 425.487.4333 • Fax: 425.487.4337