



SR18S

18" Professional Powered Subwoofer

The SR18S 18" 1600W Professional Powered Subwoofer is designed for real-world working musicians, DJs, events, venues, and beyond.

The latest acoustic processing technology, powerful amplification, and versatile configurations deliver incredible sound and unbeatable reliability. Custom Voicing modes and a variable crossover makes optimization for your system easy.

Built-Like-A-Tank™ construction features a rugged wood cabinet and tough steel grille that is built to last.

A perfect complement to the SRT Series, SRM | V-Class Series or any PA, SR18S not only adds powerful low end, but allows for a massive increase in efficiency and output for your whole system.

APPLICATIONS:

Singer-songwriters, announcement PA, karaoke, clubs / cafés, houses of worship, schools, small restaurants, outdoor events / barbeques, banquet halls, conference rooms, boardrooms, and many, many more.

FEATURES:

- **A True Workhorse for Gigging Professionals**
 - Powerful 1600W Class-D amplifiers designed for ultra-reliable, consistent performance
 - Custom high-efficiency transducer ensures maximum punch
 - Increases efficiency of your full-range loudspeakers by taking care of the low end for the entire system
 - Built-Like-A-Tank™ to conquer every gig while lightweight for easy loading
 - Frequency response: 33 Hz – 200 Hz
 - Max SPL: 133 dB
- **Custom Voicing Presets**
 - Flat – Natural balance between deep bass and overall output
 - Deep – Emphasizes ultra-low frequencies. Great for dance, rap, and electronic music
 - Punch – Prioritizes highest possible output level. Great for bands and rock music
- **Optimize for Your System**
 - Variable crossover frequency
 - Polarity invert switch
 - Defeatable front LED
 - Stereo or mono-summing for single or dual subwoofer deployment
 - Variable level control (-6 dBU to +6 dBU)
- **Transparent System Limiting and Protection**
 - Dedicated processing module monitors and protects the amplifier in real time
 - Sound quality and tonal balance is maintained even under heavy limiting
 - Input limiting keeps your source signal in check so if you're sending audio that's a bit too hot, the speaker will cool it down
 - Universal Power Supply (100 – 240VAC) with Power Factor Correction for stable operation even with unstable AC power
- **Versatile I/O**
 - Stereo XLR inputs
 - Stereo full-range XLR outputs
 - Stereo high-pass XLR outputs
- **Versatile configuration options**
 - Integrated pole cup
- **Weight: 74.5 lb / 33.8 kg**
- **Dimensions: 23.3 x 23.0 x 27.0 in / 592 x 584 x 686 mm**

SR18S SUBWOOFER SPECIFICATIONS

Acoustic Performance

Frequency Response (-10 dB)	33 Hz - 200 Hz [Deep HPM] 35 Hz - 200 Hz [Flat HPM]
Frequency Response (-3 dB)	38 Hz - 200 Hz [Punch HPM] 35 Hz - 160 Hz [Deep HPM] 41 Hz - 160 Hz [Flat HPM] 46 Hz - 160 Hz [Punch HPM]
Maximum SPL Peak	133 dB

Transducers

Low Frequency	18 in / 457 mm woofer with ferrite
---------------	------------------------------------

Power Amplifiers

System Power Amplification	
Rated Power	1600 watts peak
Low Frequency Power Amplifier	
Rated Power	1600 watts peak
Rated THD	<1%
Cooling Design	Convection Class D

System Processing

Phase	Normal / Invert
High Pass Mode	SR Flat, SR Deep, SR Punch, Variable

Input / Output

Input Type	2x Female XLR Balanced Differential (Stereo Left / Right)
Input Impedance	20 k Ω Balanced, 10 k Ω Unbalanced
Full Range Outputs	2x Male XLR Balanced (Parallel with Inputs - Mono)
Full Range Impedance	300 Ω Balanced
High Pass Outputs	2x Male XLR Balanced
High Pass Impedance	300 Ω Balanced
Main Level Control	Rotating Knob

Line Input Power

Detachable line cord	~100 - 240 VAC, 50 - 60 Hz, 110W
AC Connector	3-Pin IEC 250 VAC, 10 A male
Power Supply Type	Switchmode

Safety Features

Input Protection	Peak and RMS limiting, power supply and amplifier thermal protection
Display LEDs	Defeatable front power

Construction Features

Basic Design	Rectangular
Enclosure Material	15mm poplar plywood
Enclosure Finish	Black Polyurethane
Grille Material	11 gauge ASTM A36 Steel
Grille Finish	Powder-coated black
Handles	One on each side
Display LEDs	
Front	Power ON
Rear	High Pass Mode, Sig / Clip
Operating Temperature	0 - 40 °C 32 - 104 °F

Options

SR18S Subwoofer Cover	P/N 2036809-60
SPM400 Loudspeaker Pole Mount	P/N 2051055

Mounting Methods

SR18S subwoofers are designed to sit on the floor or stage. They are NOT designed to be pole-mounted or suspended. The cabinet has no rigging points and is not suitable for rigging. Never attempt to suspend an SR18S subwoofer by its handles.

SR18S SUBWOOFER SPECIFICATIONS CONTINUED...

Physical Properties (product)

Height:	23.3 in / 592 mm
Width:	23.0 in / 584 mm
Depth:	27.0 in / 686 mm
Weight:	74.5 lb / 33.8 kg

Physical Properties (packaged product)

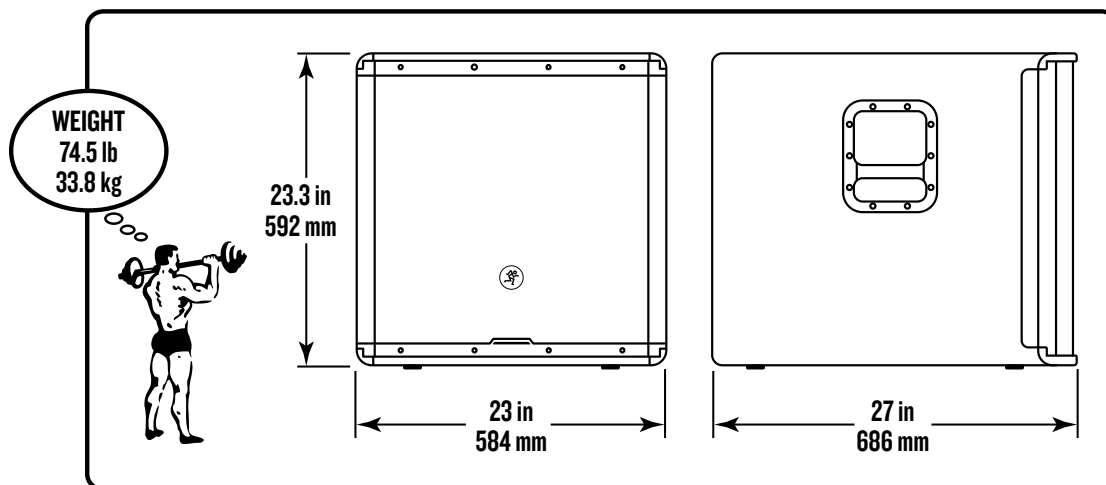
Height:	25.9 in / 658 mm
Width:	28.3 in / 719 mm
Depth:	31.9 in / 810 mm
Weight:	91.7 lb / 41.6 kg

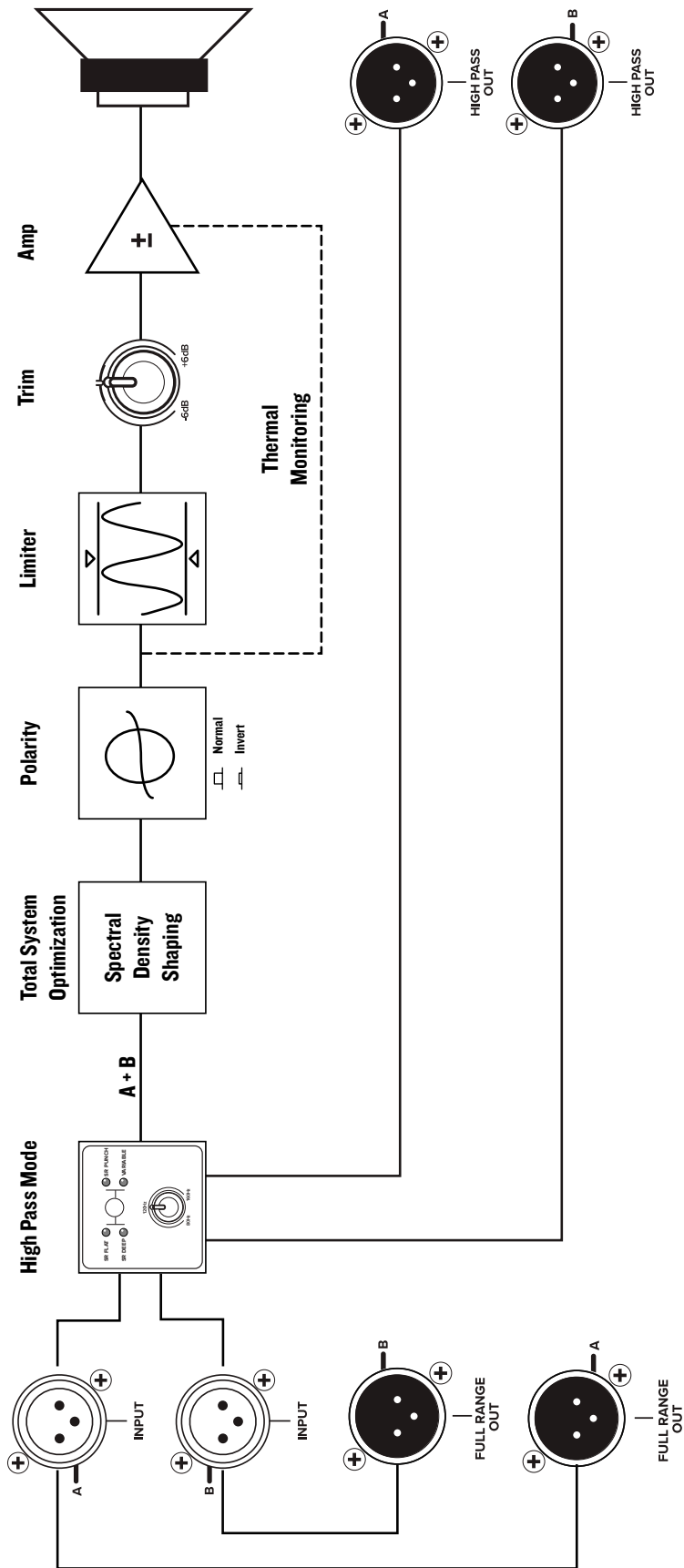
Ordering Information

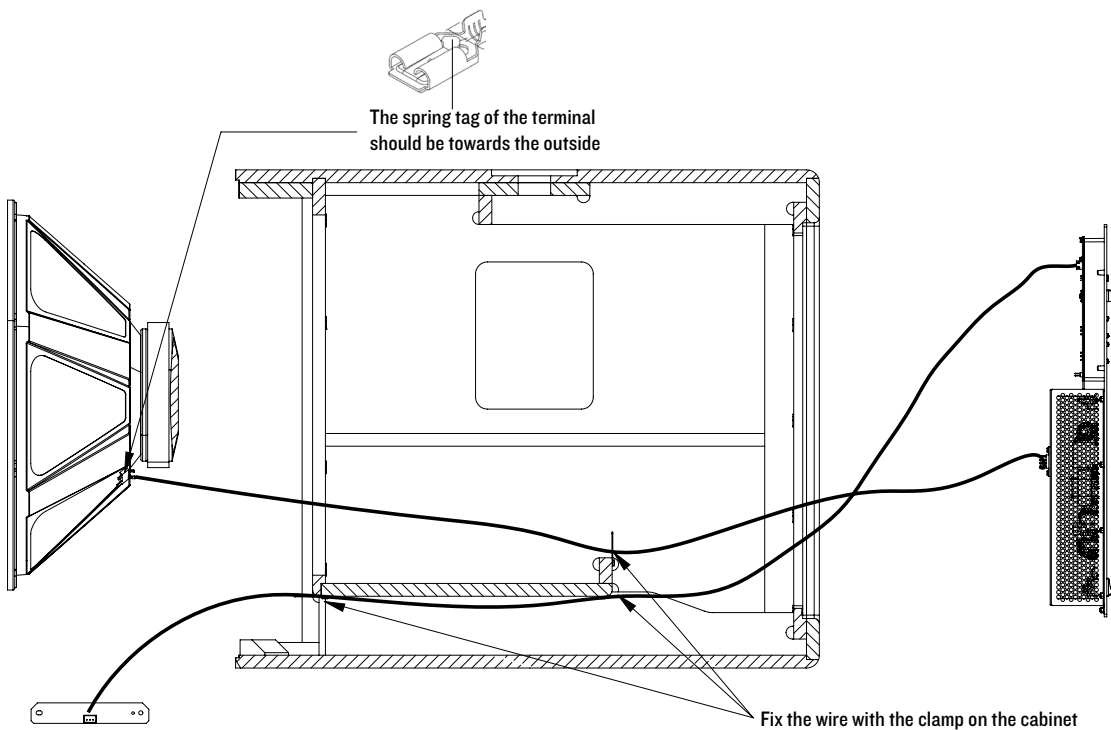
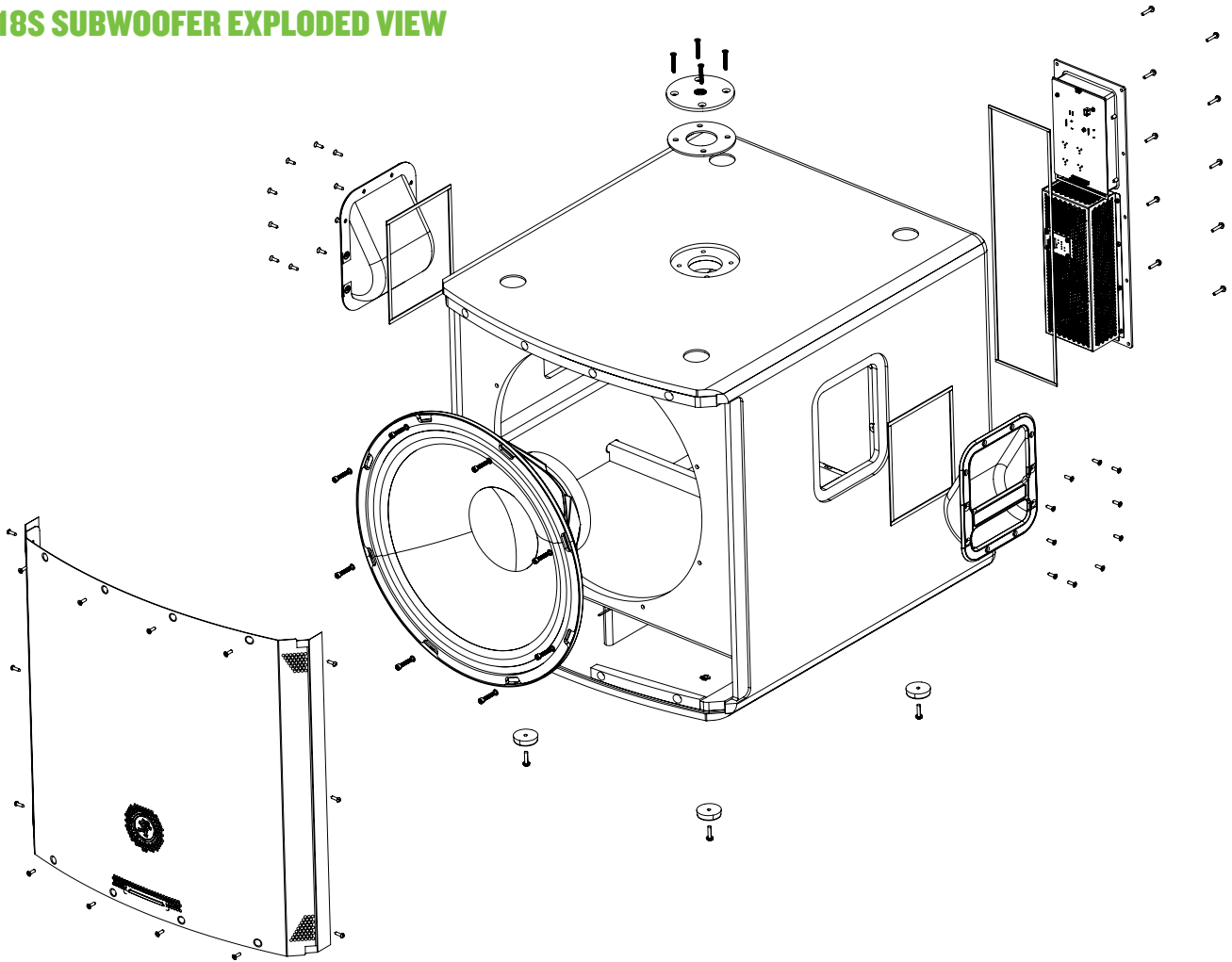
SR18S – 18" 1600W Professional Powered Subwoofer

_____	P/N 2051880-00 (US)
_____	P/N 2051880-01 (EU)
_____	P/N 2051880-03 (UK)
_____	P/N 2051880-04 (AU)
_____	P/N 2051880-05 (CN)
_____	P/N 2051880-06 (BZ -120V)
_____	P/N 2051880-07 (AR)
_____	P/N 2051880-08 (KR)

SR18S SUBWOOFER DIMENSIONS



SR18S SUBWOOFER BLOCK DIAGRAM


SR18S SUBWOOFER EXPLODED VIEW

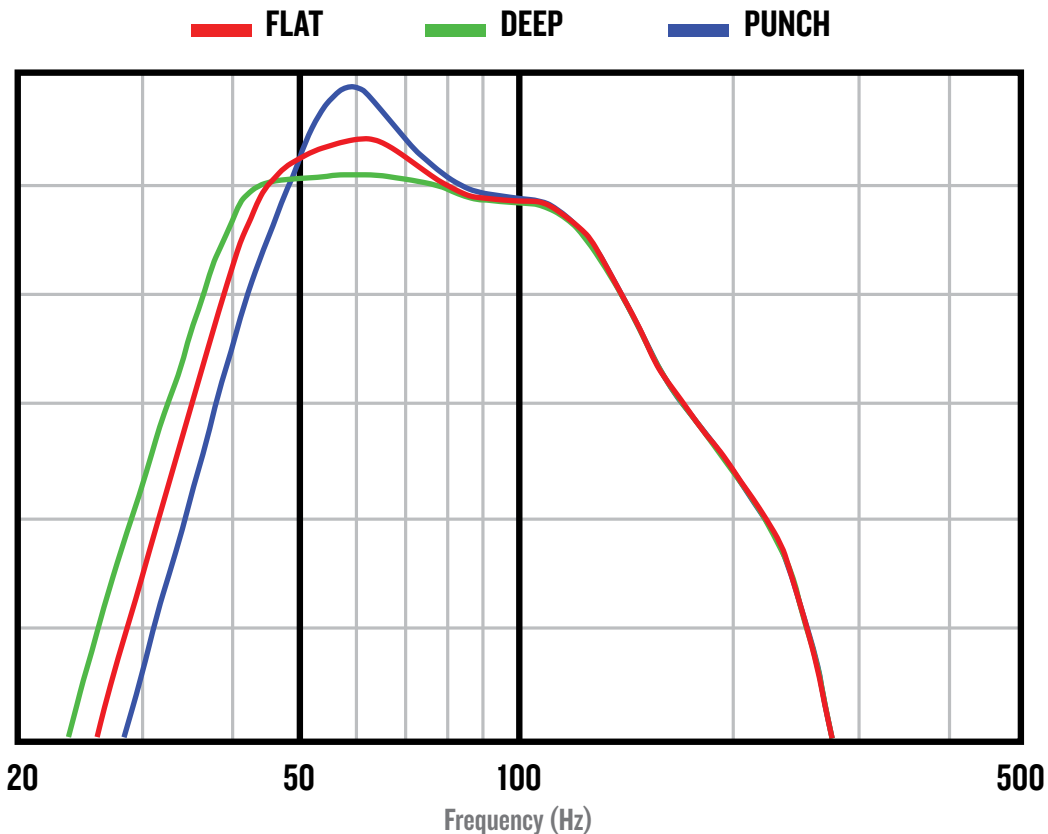
SR18S SUBWOOFER MAGNITUDE RESPONSE LEGEND & GRAPH

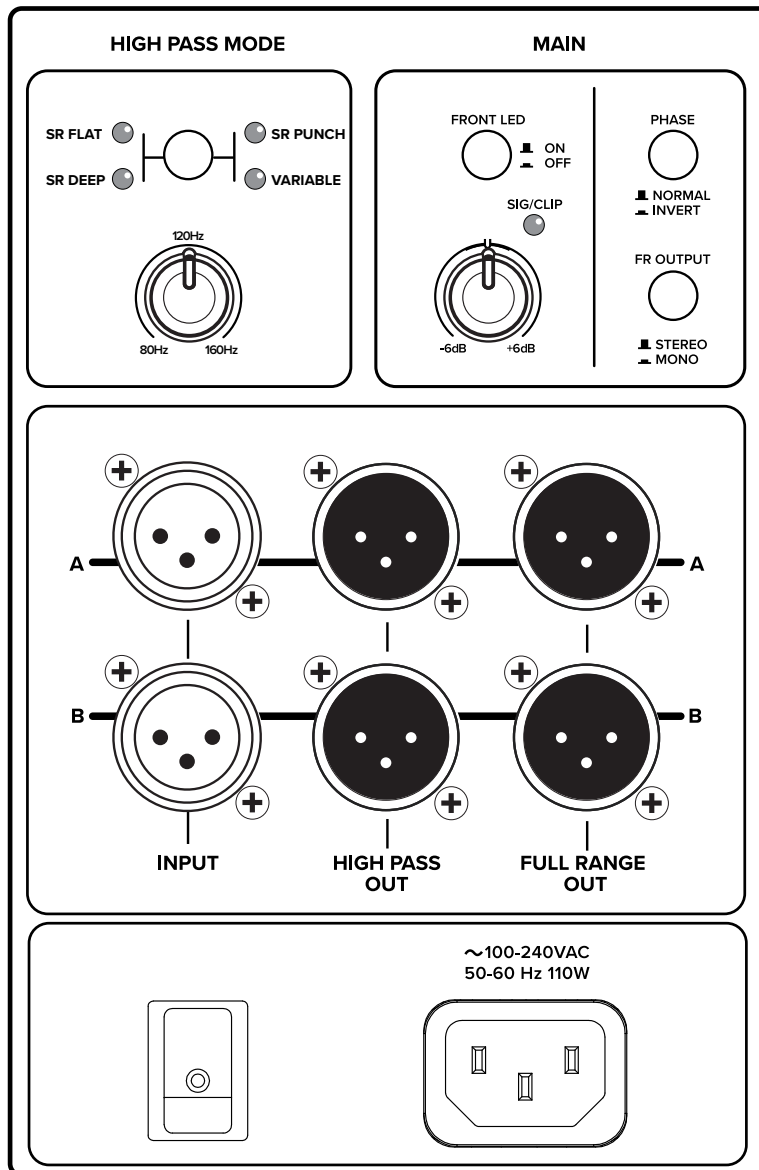
FLAT High Pass Mode – This factory default setting delivers nice, balanced bass, suitable for all music types.

DEEP High Pass Mode – SR Deep trades a bit of output for much deeper bass extension. This mode pairs well with electronic music, or for use with electronic keyboards.

PUNCH High Mode – SR Punch has opposite shaping of SR Deep. It delivers a higher peak SPL at the expense of LF extension, while still maintaining musicality. Optimized for use with live music.

NOTE The Magnitude Response graph was generated using a Klippel NFS.



SR18S SUBWOOFER REAR PANEL


Electronic files for this product are available at:
www.mackie.com

Specification Sheet

SR18S_SS.PDF

Owner's Manual

SR18S_OM.PDF