

FKDRM18S Flyware Kit Installation Instructions

Description

The contents of this kit allow the DRM18S powered subwoofer to be flown below the FB100 Flybar. An additional DRM18S and up to four DRM12A loudspeakers may also be flown below it. Each DRM18S requires its own flyware kit (part number 2051056). Use this kit only with the DRM18S.

FKDRM18S Flyware Kit (Part No. 2051056) contents:

Item	Quantity	Description
A	2	Screw, M4.8 x 19mm Long
B	2	Rubber foot
C	4	Screw, M10 x 55mm Long
D	2	Fly Bar
E	2	Screw, M10 x 30mm Long
F	2	Lock washers, M10
G	2	Flat washers, M10
H	1	FB100 Rear Brace
I	2	Screw, M6 x 30mm Long
J	2	Lock washers, M6
K	2	Flat washers, M6
L	2	Nuts, M6

Required Tools (not included):

#2 Phillips screwdriver
6mm Hex driver
17mm open end or box wrench
Loctite 222

Safety First!

Before installing and using this product, please read these instructions carefully and keep them on hand for future reference. Additionally, refer to the DRM18S and DRM12A product manuals and FB100 Flybar installation instructions for detailed product-specific information, including complete post-rigging kit usage instructions. Failure to follow the precautions in these documents may result in injury or damage to the DRM18S, DRM12A and/or contents of the rigging kit. It could also lead to injury – or even death! – to you.

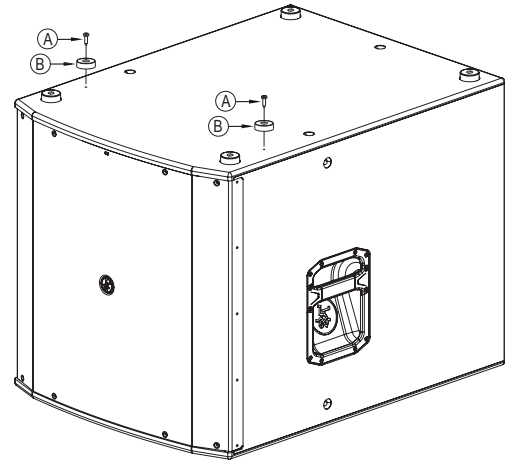
WARNING: This product has been designed for installation only by qualified and licensed personnel having the technical know-how and experience of the operations involved to prevent any risk to personal safety. When installing this product, always respect the safety standard. Do not install the product in any way that is not described in these instructions.

WARNING: The DRM18S rigging kit has been tested to a Working Load Limit (WLL) of 452 lb / 205 kg with a design factor of 10:1. This rigging kit may hold up to two DRM18S subwoofers [102 lb / 46.3 kg each] and four DRM12A loudspeakers [62 lb / 28.1 kg each] in succession. Never apply a load that exceeds the Working Load Limit.

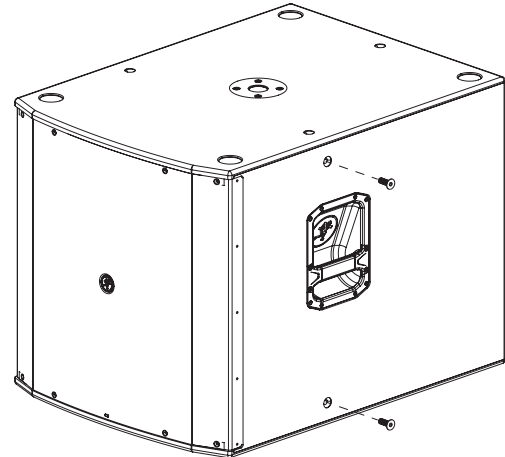
Before suspending the loudspeaker(s), make all of the necessary calculations to ensure that all of the components are used within their nominal work load range. Remember that the weakest component determines the safety level of the entire installation.

Flyware Kit Installation

1. Using the #2 Phillips screwdriver, place the threaded part of the screws (A) through the rubber feet (B) and into the pilot holes on the bottom of the DRM18S. Do not over-tighten the screws.

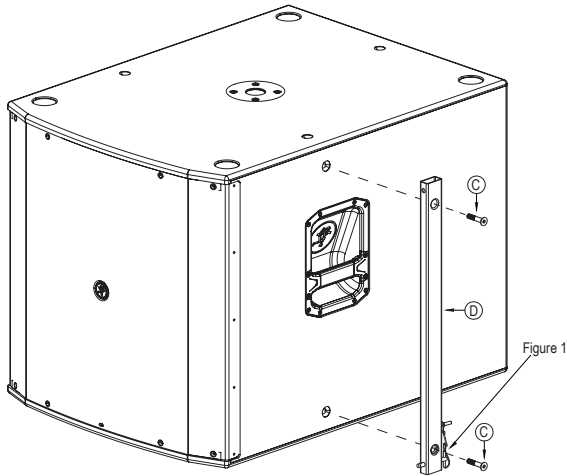


2. Using the 6mm Hex driver, remove the two screws on each side of the DRM18S. Store these four screws in a safe place, as they will be necessary should the rigging kit no longer be needed.

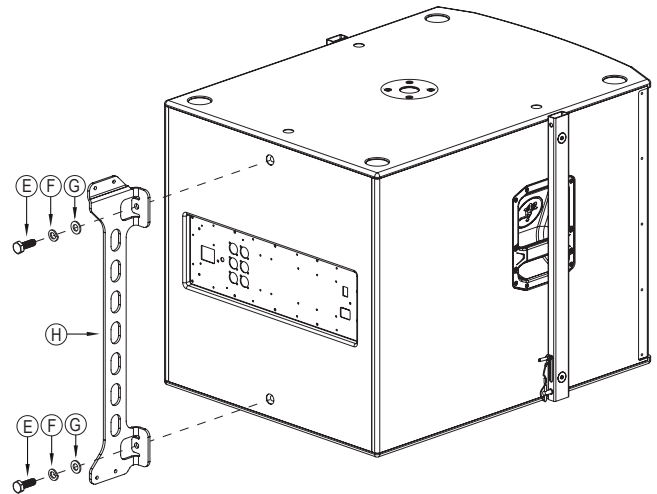


3. Align the pin side of the fly bar on the bottom of the DRM18S, with the handle side of the pin [Figure 1] towards the rear of the loudspeaker.

4. Apply Loctite 222 to the screws (C), insert each screw through the fly bar (D) into the two threaded inserts on each side of the DRM18S, and securely tighten.



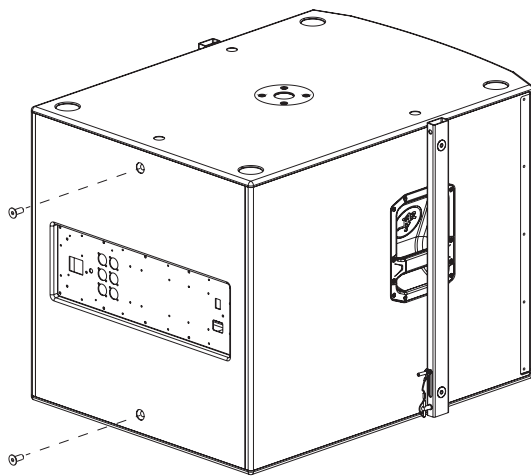
6. Apply Loctite 222 to the screws (E). Insert each screw through the flat washers (F), through the lock washers (G), then through the brace (H) into the two threaded inserts on the rear of the DRM18S, and securely tighten.



7. Items I, J, K and L are used to attach the FB100 Flybar to the rear brace (H). Please see the FB100 Flybar Installation Instructions for details.

Very important: The bottom screw should be secure, but the locking pin should have the ability to be inserted through the holes in the tubing. With the pin inserted, tighten to the point **JUST BEFORE** pin movement is restricted. Do not over-tighten the screws, as this could damage the threaded inserts of the DRM18S subwoofer.

5. Using the 6mm Hex driver, remove the two screws on the rear of the DRM18S. Store these screws in a safe place, as they will be necessary should the rigging kit no longer be needed.



LOUD Audio, LLC • 16220 Wood-Red Road NE
Woodinville • WA • 98072
800/258-6883 • FAX 425/487-4337

Part No. 2051267 Rev B 12/18
© 2018 LOUD Audio, LLC. All Rights Reserved.

Disclaimer:
LOUD Audio, LLC continually engages in research related to product improvement. New material, production methods, and design refinements are introduced into existing products without notice as a routine expression of that philosophy. For this reason, any current LOUD Audio, LLC product may differ in some respect from its published description, but will always equal or exceed the original design specifications unless otherwise stated.